



Server Drawer Technical Product Specification

SNUC Server Drawer

P/N: **461-0006-010**

Version 1.2, 08/05/2022

Preface

The purpose of this document is to provide a technical reference for customers and developers of the Simply NUC Server Drawer product.

Contents

Figures References	2
Tables References	2
Figures	
Description	3
Overview	3
Power Supplies & Certifications	3
Fans	4
Mechanical Dimensions	5
Environmental Specifications	6
Document Version History	7

Figures

Figure 1: Fan Front & Side Mechanical Dimensions	4
Figure 2: Fan (Cubic Feet Per Minute / CFM)	4
Figure 3: Server Drawer Mechanical Dimensions	5
Figure 4: Server Drawer / Front View	5
Figure 5: Server Drawer / Back View	6

Tables

Table1: Environmental Specification	6
-------------------------------------	---

1 Description

1.1 Overview

The Simply NUC Server Drawer is intended to hold up to 10 NUCs in a 5U configuration, measuring 7" / 17.8 cm in height which can utilize individual NUC PSUs or the default built-in redundant PSUs, configuration details noted below.. This actively cooled server drawer is targeted for centralized computing, command and control centers and similar applications.

Simply NUC Server Drawer has the following features:

- Qty.2 / 600W power supplies **[default configuration]**
- Up To 10 adjustable slots for 4 x 4 computers ("K" Type Chassis)
 - Up To 7 adjustable slots for 4 x 4 computers ("H" Type Chassis)
- Up To 20 external HDMI ports
- Up To 10 external RJ45 ports
- Up To 20 external USB 3.0 ports
- 4 Exhaust Fans **[default configuration]**

1.2 Power Supplies & Certifications

The Simply NUC Server Draw PSU's have the following specifications

- Operating temperature range 0°C~ 50°C
- Storage temperature-20°C – 80°C
- HOLD UP TIME: 16mS Minimum at normal input voltage
- LEAKAGE CURRENT: 3.5 mA. MAX. AT NOMINAL VOLTAGE 250VAC
- POWER GOOD SIGNAL: ON DELAY 100 ms TO 500 ms, OFF DELAY 1 ms
- OVER POWER PROTECTION: 110%~160%
- OVER VOLTAGE PROTECTION: +3.3V→3.6~4.3V, +5V→5.5~6.5V, +12V→13.2~15.6V
- OVERCURRENT PROTECTION: +3.3V→27.5~40A, +5V→ 27.5~40A
- SHORT CIRCUIT PROTECTION: +12V, -12V, +5VSB
- SAFETY: TO MEET UL, TUV, CB, CCC, RFI/EMI STANDARDS
- EMI NOISE FILTER: FCC CLASS B, CISPR22 CLASS B
- REMOTE ON/OFF CONTROL

1.3 Fans

The Simply NUC Server Drawer has (Qty. 4) 50 x 10 mm fans acting as exhaust. The Pictures below show the mechanical dimension of the fan and details for CFM ratings at different RPMs.

Figure 1: Fan Front & Side Mechanical Dimensions

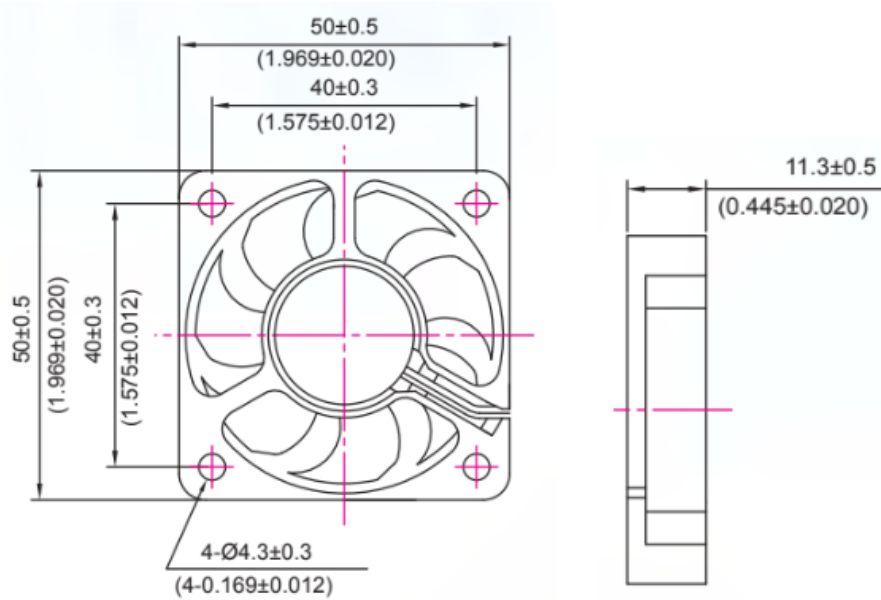
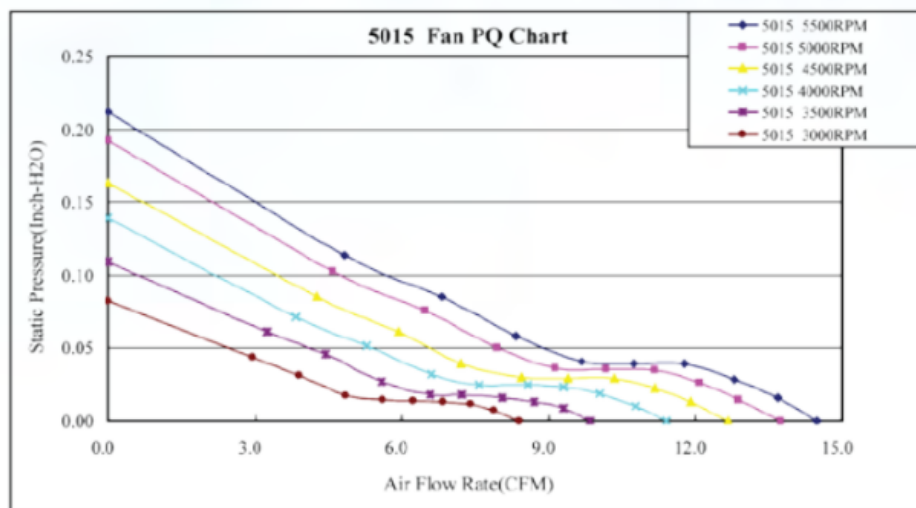


Figure 2: Fan CFM



1.4 Server Drawer Mechanical Dimensions

This Server drawer is designed to be placed in a standard 19" server rack. The drawer itself is 5U tall, approximately 7" / 17.8 cm tall and approximately 11" / 28 cm inches long. The draw has slide rails on either side for ease of access and maintenance. The figure below shows the dimensions in more detail

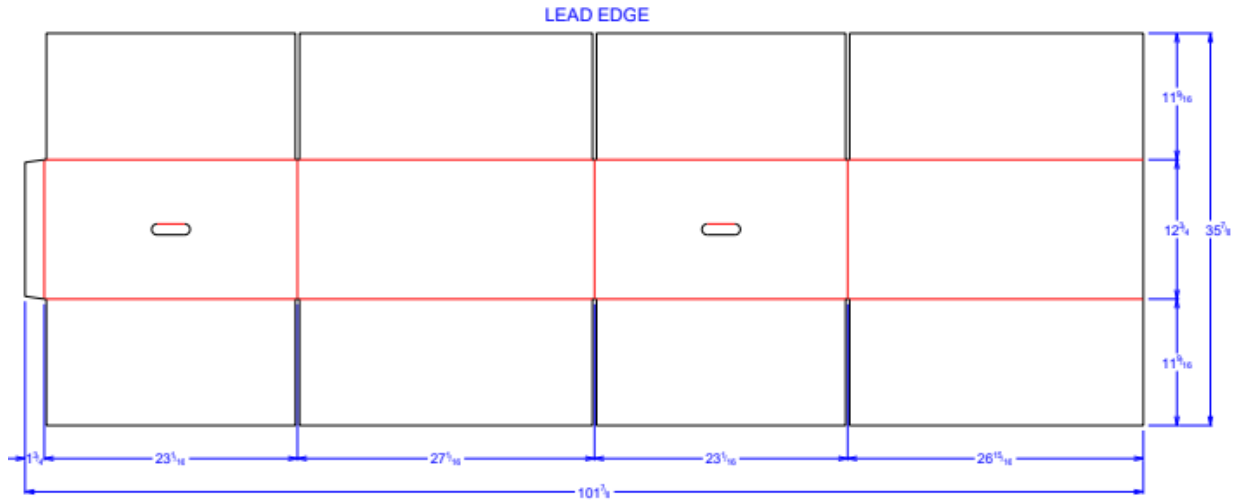


Figure 3: Server Drawer Mechanical Dimensions

2 Reference Images

Figure 4: Server Drawer / Front View



2.1 Reference Images (continued)

Figure 5: Server Drawer / Rear View



3 Environmental Specifications

Table 1: Environmental Specifications

Condition	Specification
Input Voltage	90V – 264V
Input Voltage Connector	C13 Female
Recommended PSU Wattage	110W
Operating Temperature	0°C– 60°C
Operating Humidity	5% – 90%
Storage Temperature	-40°C – 85°C
Storage Humidity	5% – 90%

4 Document Version History

Version	Date	Comments
1.0	7/29/2022	<i>Initial Creation.</i>
1.1	08/01/2022	<i>Updated formatting, pagination, add Table Reference</i>
1.2	08/05/2022	<i>Added image of the front view of the server drawer, updated technical description and related details in section 1.2</i>
1.3	2/21/2023	<i>Updated the physical dimensions of the device.</i>